

### Features

- Unique three-function pull-down sprayhead allows you to tackle tasks such as cleaning, rinsing and filling with Sweep® Spray, BerrySoft® spray, and aerated stream.
- DockNetik®, a magnetic docking system located within the spout, smoothly glides and securely locks the sprayhead into place.
- Ceramic disc valves exceed industry longevity standards, ensuring durable performance for life.
- ProMotion® technology's light, quiet braided hose and swiveling ball joint make the pull-down sprayhead easier and more comfortable to use.
- MasterClean™ sprayface features an easy-to-clean surface that withstands mineral buildup.
- High-arch 360° rotating spout offers superior clearance for filling pots and cleaning.
- Single lever handle is simple to use and makes adjusting water temperature easy.
- Temperature memory allows faucet to be turned on and off at the temperature set during prior usage.
- 1.5 gal/min (5.7 l/min) maximum flow rate [max at 60 psi (4.14 bar)]

### Material

- Premium metal construction.
- KOHLER finishes resist corrosion and tarnishing.

### Installation

- For single-hole installation. (3-hole escutcheon available, sold separately model number K-99272.)
- Flexible connections for easy installation.

### Adapters, Rough-in and Extension Kits

1012715 Range: 3-1/4" (83 mm) - 5-3/8" (137 mm)



ADA CSA B651

### Codes/Standards

ASME A112.18.1/CSA B125.1  
NSF/ANSI 61  
NSF/ANSI 372  
All applicable US Federal and State material regulations  
DOE - Energy Policy Act 1992  
California Energy Commission (CEC)  
ADA  
ICC/ANSI A117.1  
CSA B651

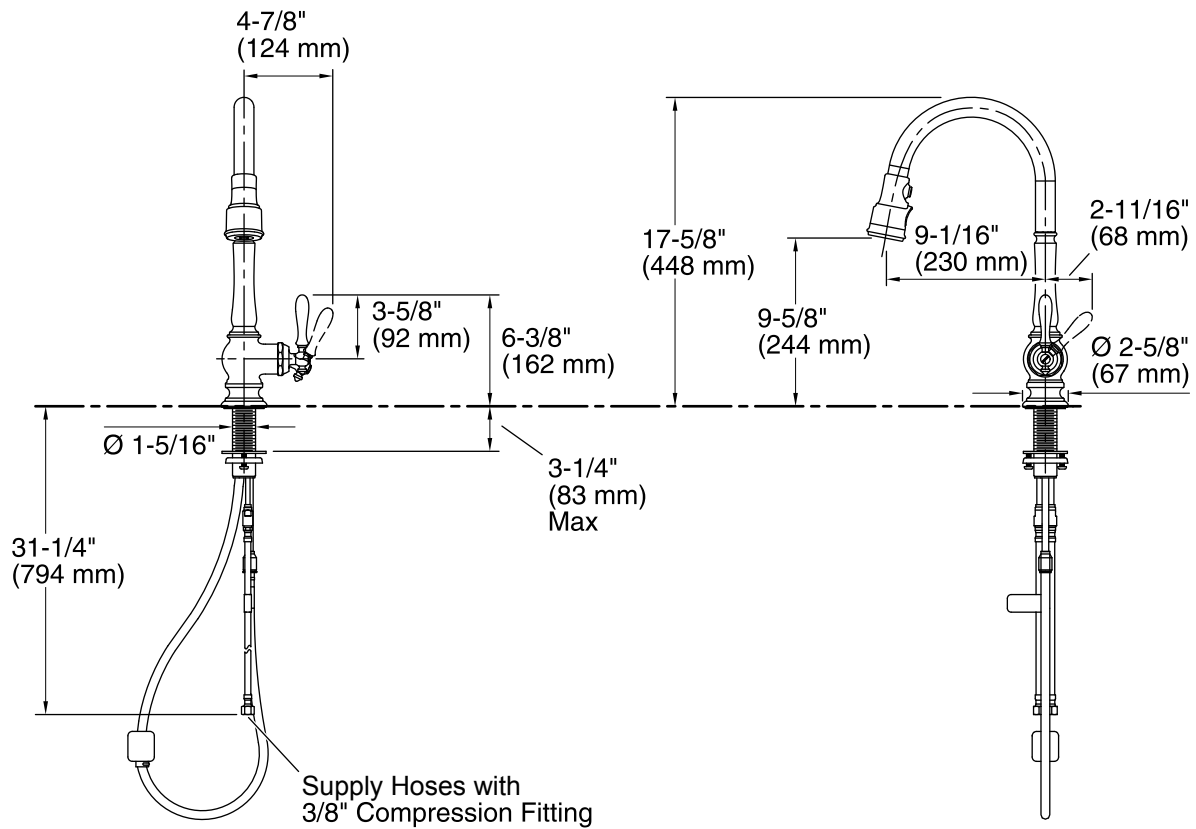
### KOHLER® Faucet Lifetime Limited Warranty

See website for detailed warranty information.

### Available Color/Finishes

*Color tiles intended for reference only.*

Color	Code	Description
	CP	Polished Chrome
	SN	Vibrant® Polished Nickel
	VS	Vibrant® Stainless
	2BZ	Oil-Rubbed Bronze



### Technical Information

All product dimensions are nominal.

#### Faucet:

Flow rate: 1.5 gal/min (5.7 l/min)

Pressure: 60 psi (4.1 bar)

#### Spout:

Spout reach: 9-1/16" (231 mm)

Handle clearance: 4-7/8" (123 mm)

### Notes

Install this product according to the installation guide.

Meets all local plumbing codes for backflow prevention requirements.

ADA, CSA B651 compliant when installed to the specific requirements of these regulations.