



# Caxton® Rectangle

## Under-mount Bathroom Sink

### K-20000

#### Features

- Vitreous china.
- Rectangular Under-mount
- With overflow.
- 17-3/8" (441 mm) x 13" (330 mm)

#### Components

Additional included component/s: 1193643 Basin Clamps.



ADA

#### Codes/Standards











ASME A112.19.2/CSA B45.1  
ADA  
ICC/ANSI A117.1

#### KOHLER® One-Year Limited Warranty

See website for detailed warranty information.

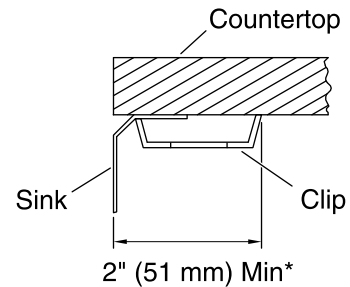
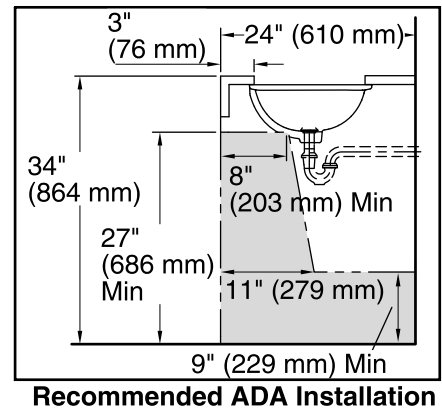
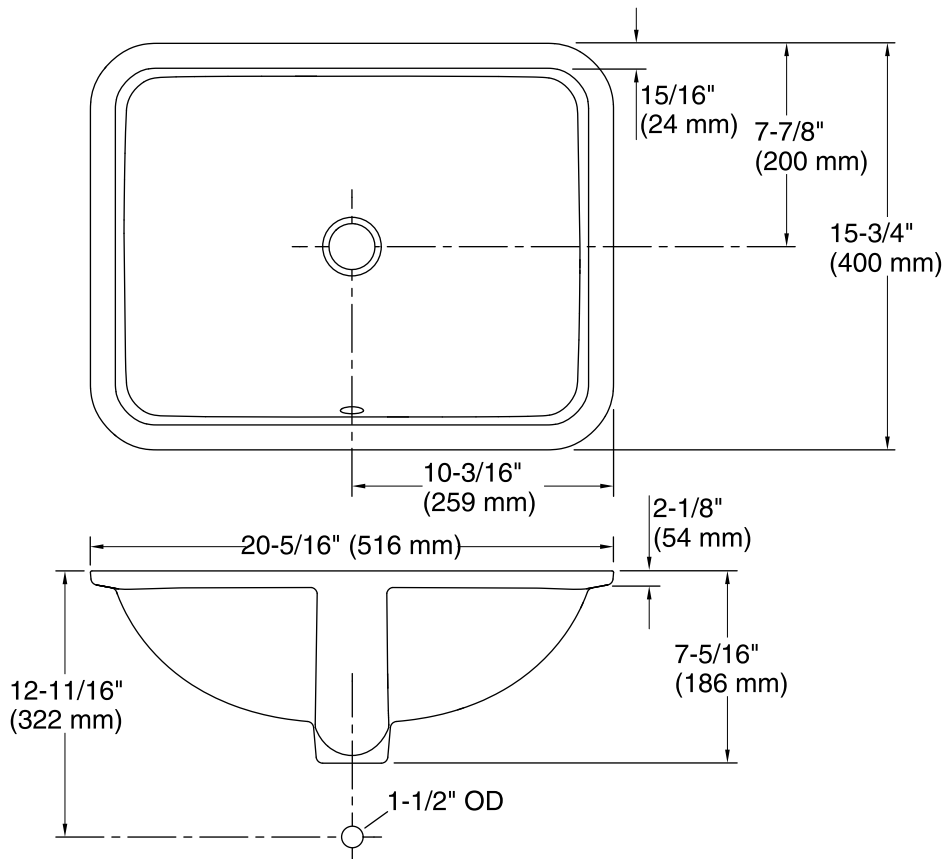
#### Available Color/Finishes

*Color tiles intended for reference only.*

Color	Code	Description
	0	White
	96	Biscuit
	47	Almond
	NY	Dune
	95	Ice™ Grey
	G9	Sandbar
	33	Mexican Sand™
	K4	Cashmere
	58	Thunder™ Grey
	7	Black Black™



**Caxton® Rectangle**  
Under-mount Bathroom Sink  
**K-20000**



\* Allow clearance around sink rim for clip attachment.

**Technical Information**

All product dimensions are nominal.

Installation:	Under-mount
Bowl area:	Length: 17-3/8" (441 mm) Width: 13" (330 mm) Bowl depth: 5-5/16" (135 mm) Water depth: 3-5/8" (93 mm)
Drain hole:	2-1/2" (64 mm)
Template:	1281904-7, not required, not included

**Notes**

Install this product according to the installation instructions.

Countertop manufacturer or cutter must use the cut-out template provided with the product, or a current one provided by Kohler Co. (call 1-800-43-FOCUS). Kohler Co. is not responsible for cut-out errors when the incorrect cut-out template is used.

ADA compliant when installed to the specific requirements of these regulations.